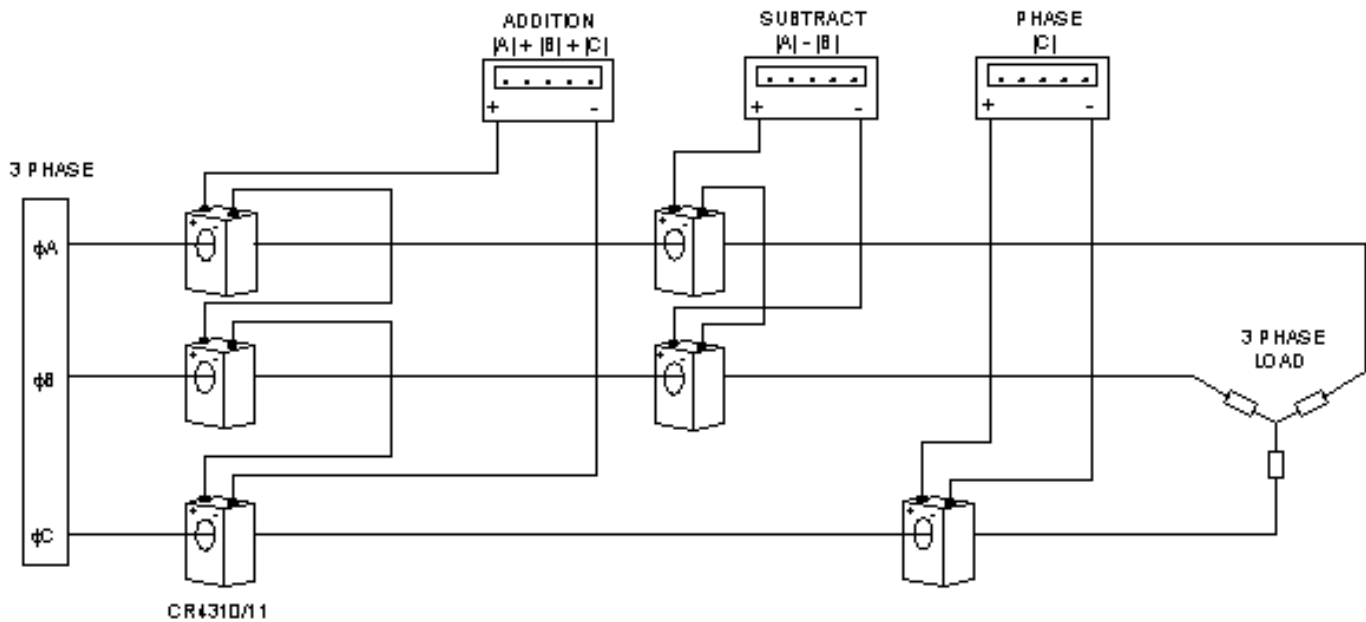


APPLICATION SHEET ANCR4310-2

Measuring 3-Phase Currents with the CR4310 Transducer

The unique design of the CR4310 Transducer allows the system designer to not only measure individual phase currents, but also combine signals to realize arithmetic functions with a minimum of components and programming. Because of the self-powered floating output feature, voltages can be added and subtracted by simple wiring, and accurate data displayed via programmable scale displays.



APPLICATIONS AND LIMITATIONS

- Accurate average three phase current measurement
- Phase imbalance indication
- Monitor motor load status accurately and simply
- Monitor heater status and balance
- Phase Voltage monitor
- The transducer function of giving DC output voltages for AC input currents loses all phasing information. Absolute values of current are available only.
- Loading limits of the transducer remain as specified. Multiple transducers wired as shown must be capable of handling the instrument impedance on an individual basis.
- Transducers may be mounted in close proximity to each other without concern for magnetic interaction.
- An external current transformer may be attached to the transducer for applications that require monitoring current levels above 200 AAC.