

Self Powered AC Current Transducer

DIN RAIL / PANEL MOUNT, AVERAGE RMS



CR4210 CR4211

Single Element - .79" Window
2 to 200 AAC Input Range



CR4210S CR4211S

Single Element - 1.22" Window
2 to 200 AAC Input Range

The **CR4210** and **CR4211** Series Current Transducers are self powered. These transducers are calibrated to provide a 0-5 VDC and 0-10 VDC signal that is proportional to the average RMS input AC current. Designed for multi-point current sensing, these devices provide excellent features in a high value package.

Applications

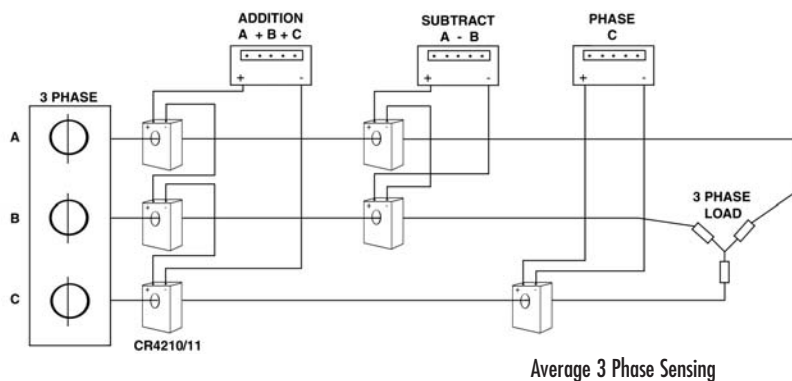
Phase fired controlled heaters
Quickly varying motor loads
Chopped wave form drivers
Harmonic currents

Features

35mm DIN Rail or Panel Mount
Available with 0 - 5 VDC or 0-10 VDC outputs
Self powered, requires no external power source
Use with external current transformers
Low cost
Connection diagram printed on case

Regulatory Agencies

Constructed under requirements of UL3111-1



All single element current transducers are available in split core design. Simply put an "S" at the end of the prefix
* **UL Recognition Pending**

| PART NUMBERS | | | |
|---|---|--|--|
| CR4210(S) | - | | Single element with 0 - 5 VDC output (split core design) |
| CR4211(S) | - | | Single element with 0 - 10 VDC output (split core design)* |
| *CR4210S and CR4211S only available in ranges 20 amps and above | | | |

□ Add suffix for input range

- 2** - 0-2 AAC *
 - 5** - 0-5 AAC *
 - 10** - 0-10 AAC *
 - 20** - 0-20 AAC
 - 50** - 0-50 AAC
 - 70** - 0-70 AAC
 - 100** - 0-100 AAC
 - 150** - 0-150 AAC
 - 200** - 0-200 AAC
- other ranges available



Another HUNTINGTON ELECTRIC Company

CR Magnetics, Inc. 3500 Scarlet Oak Blvd. St. Louis MO USA 63122 V: 636-343-8518 F: 636-343-5119

Web: <http://www.crmagnetics.com>

E-mail: sales@crmagnetics.com

Transducers

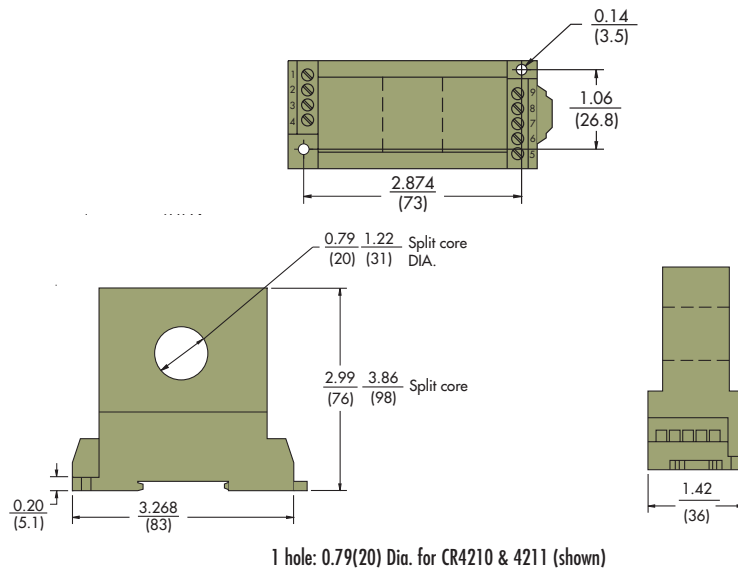
Self Powered AC Current Transducer

DIN RAIL / PANEL MOUNT, AVERAGE RMS

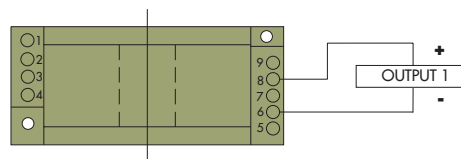
SPECIFICATIONS

| | | | |
|-----------------------------|---------------------------------|-----------------------------|--|
| Basic Accuracy:..... | 0.5% | Cleaning:..... | Water-dampened cloth |
| Thermal Drift:..... | 500 PPM/°C | Output Load:..... | 1M Ω or Greater |
| Operating Temperature:..... | 0°C to +60°C | Greater Response Time:..... | 250 ms max., 0-90%FS |
| Installation Category:..... | CAT II | Relative Humidity:..... | 80% for temperatures up to 31°C and decreasing linearly to 50% at 40°C |
| Pollution Degree:..... | 2 | Supply Power:..... | Self powered (output voltage is obtained from current-sensing conductor) |
| Insulation Voltage:..... | 2500 VDC | Torque Specs:..... | 3.0 inch lbs. (0.4Nm) |
| Altitude:..... | 2000 meter max. | Weight:..... | 0.5 lbs. |
| Frequency Range:..... | 50Hz - 400Hz | | |
| Calibration:..... | Average Sensing, RMS Calibrated | | |
| MTBF:..... | Greater than 100 K hours | | |

OUTLINE DRAWING



CONNECTION DIAGRAM



CR4210 Single Element 0 - 5 VDC Output
CR4211 Single Element 0 - 10 VDC Output

NOTE: The building installation must have a switch or circuit-breaker that is in close proximity and within easy reach of the operator. The switch or circuit breaker shall be marked as the disconnecting device for the equipment.



Another HUNTINGTON ELECTRIC Company

CR Magnetics, Inc. 3500 Scarlet Oak Blvd. St. Louis MO USA 63122 V: 636-343-8518 F: 636-343-5119

Web: <http://www.crmagnetics.com>

E-mail: sales@crmagnetics.com

C Transducers