

TWO LINE LCD DISPLAY



CRV5000 CRV5100 CRV5200

CRV5000 Series

Applications

Directly Connect to PLC
Sense Motor Stalls and Short Circuits
Industrial Instrumentation
Process Control Loops
Over and Under Trip Detection

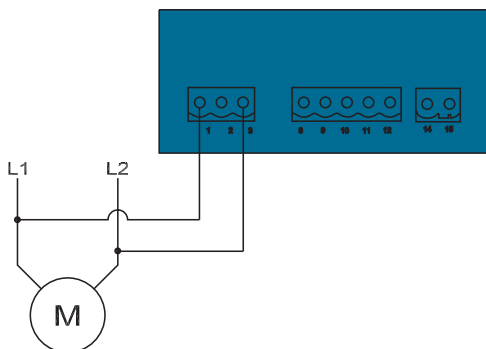
Features

1/8 DIN Case
Available with Analog 4-20 mA or 0-10 VDC Outputs
RS232 and RS485 Communication Available
Select from 17 Different Inputs
8 Different Types of Relay Outputs Available
4 User Selectable Trip Points
Trip Point Status Indicators on Front Panel
Value Priced
3 Button Programming from Front Panel

Regulatory Agencies



The CRYSTALTM Series



Another HUNTINGTON ELECTRIC Company

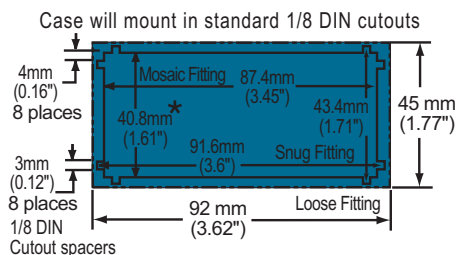
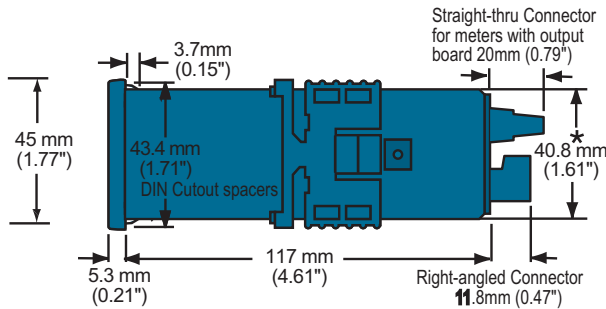
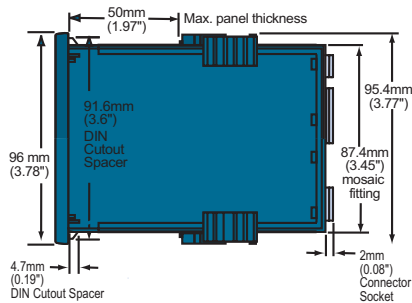
CR Magnetics, Inc. 3500 Scarlet Oak Blvd. St. Louis MO USA 63122 V: 636-343-8518 F: 636-343-5119

Web: <http://www.crmagnetics.com>

TWO LINE LCD DISPLAY

SPECIFICATIONS

Input Specs.	Depends on Input signal conditioner
A/D Converter	17 bit Dual slope, Bipolar
Accuracy	± (0.05% of reading + 2 counts)
Temp. Coeff.	30 ppm/°C (Typical)
Warm up time	10 minutes
Conversion Rate	10 conversions per second (Typical)
Display	8-digit, 7X5 dot, 0.217" reflective LCDs
Polarity	Assumed positive. Displays - negative
Decimal Selection	Front panel, user selectable to five positions
Positive Overrange	Top Segments of digital display flash
Negative Overrange	Bottom Segments of digital display flash
Relay Output	Two 5 Amp Form A relays and two 10 Amp Form C, or 5 Amp Form A relays
Analog Output	Isolated 16 bit user scalable mA or V 0-10 VDC, 4-20 mADC
Power Supply	AC/DC Auto sensing wide range supply
Operating Temp	0 to 50°C
Relative Humidity	95% (non condensing)
Weight	11.5 oz.



OUTLINE DRAWING

PART NUMBERS

CRYSTAL PANEL METER	CRVXXXX	-XX	-XX	-XX	-XX
DATA STREAM SERIES					
INPUT	CRV5000				
NO ANALOG INPUTS AVAILABLE					
RELAY OUTPUT					
Single 10 Amp Form C Relay Output			-R1		
Dual 10 Amp Form C Relay Output			-R2		
Triple 5 Amp Form A Relay Output			-R3		
Single 400 VAC/DC 140 mA SSR Output			-R4		
Dual 400 VAC/DC 140 mA SSR Output			-R5		
Triple 400 VAC/DC 140 mA SSR Output			-R6		
ANALOG OUTPUT					
0-10 VDC Ratiometric Process Output			-01		
4-20 mADC Ratiometric Process Output			-02		
COMMUNICATION					
NO RS232 OR RS485 COMMUNICATIONS AVAILABLE					
PROCESS SERIES					
INPUT	CRV5100				
Single 0-5 VDC Process Input					-P1
Dual 0-5 VDC Process Input					-P2
Triple 0-5 VDC Input					-P3
Single 4-20 mADC Process Input					-P4
Dual 4-20 mADC Process Input					-P5
Triple 4-20 mADC Process Input					-P6
RELAY OUTPUT					
Single 10 Amp Form C Relay Output			-R1		
Dual 10 Amp Form C Relay Output			-R2		
Triple 5 Amp Form A Relay Output		-R3			
Single 400 VAC/DC 140 mA SSR Output		-R4			
Dual 400 VAC/DC 140 mA SSR Output		-R5			
Triple 400 VAC/DC 140 mA SSR Output		-R6			
ANALOG OUTPUT					
0-10 VDC Ratiometric Process Output			-01		
4-20 mADC Ratiometric Process Output			-02		
COMMUNICATION					
RS232 Communications (5 DIGIT) Module		-S1			
RS485 Communications (5 DIGIT) Module		-S2			
DIRECT CONNECT SERIES					
INPUT	CRV5200				
AC Volts Input 600 VAC Average Sensing					-A1
AC Current Input 5 AAC Average Sensing					-A2
AC Volts Input 600 VAC TRMS Sensing					-A3
AC Current Input 5 AAC TRMS Sensing					-A4
DC Volts Input, Scalable, DC Voltage Sensing					-D1
DC Millivolt, Input, Scalable, DC Voltage Sensing					-D2
DC Amps Input, Scalable, DC Current Sensing					-D3
DC Milliamps Input, Scalable, DC Current Sensing					-D4
Dual DC Volts Input, Scalable, DC Voltage Sensing					-D5
Dual DC Milliamp Scalable, DC Current Sensing					-D6
Triple DC Volts Input, Scalable, DC Voltage Sensing					-D7
RELAY OUTPUT					
Single 10 Amp Form C Relay Output			-R1		
Dual 10 Amp Form C Relay Output			-R2		
Triple 5 Amp Form A Relay Output		-R3			
Single 400 VAC/DC 140 mA SSR		-R4			
Dual 400 VAC/DC 140 mA SSR		-R5			
Triple 400 VAC/DC 140 mA SSR		-R6			
ANALOG OUTPUT					
0-10 VDC Ratiometric Process Output			-01		
4-20 mADC Ratiometric Process Output			-02		
COMMUNICATION					
RS232 Communications (5 DIGIT)		-S1			
RS485 Communications (5 DIGIT)		-S2			



D

Data View