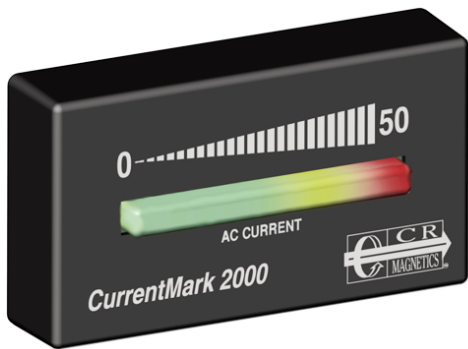


# Current Mark Displays

## CRM1000 Series



## CRM2000 Series



## CRM3000 Series



The **Current Mark Displays** are designed as a low cost method for providing a visual indication and measurement of electrical current flow. The current-carrying wire is routed through the window opening in the current sensing transformer, providing sensing and power for the instrument.

**CRM1000** Series high efficiency, 7 LED indicator that illuminates as the current approaches the full scale range.

**CRM2000** Series is a modern looking light bar with nice visual appeal. **CRM3000** Series is an auto-ranging display with an input range up to 50 AAC.

### Applications

- Monitor Status of Heater Elements
- Observe Remote Loads
- Indicate Phase Loss
- Monitor Motor Operation

### Features

- Self Powered
- Quick Visual Marking of AC Current
- Compact
- Low Cost for high Volume OEM Applications

### Specifications

- 300AAC In-Rush 100AAC Continuous 50 AAC Rated
- 600 VAC Max rating
- Thermoplastic Case Material
- 50/60 Hz Bandwidth\*
- 30°C to +60°C Operating Temperature
- 55°C to +85°C Storage Temperature

\* Contact Factory for additional input frequency ranges

### Regulatory Agencies



\* UL Recognition Pending

### PART NUMBERS

CRM1000	-			7-LED Indicator
CRM2000	-			Light Bar
CRM3000	-	50		Auto Ranging to 50 AAC

Add suffix for input range

- 25 - 0-25 AAC
- 50 - 0-50 AAC



Current Transformer:

- I Internal
- R Remote Split CR3110-1500-36



CR3110-1500-36

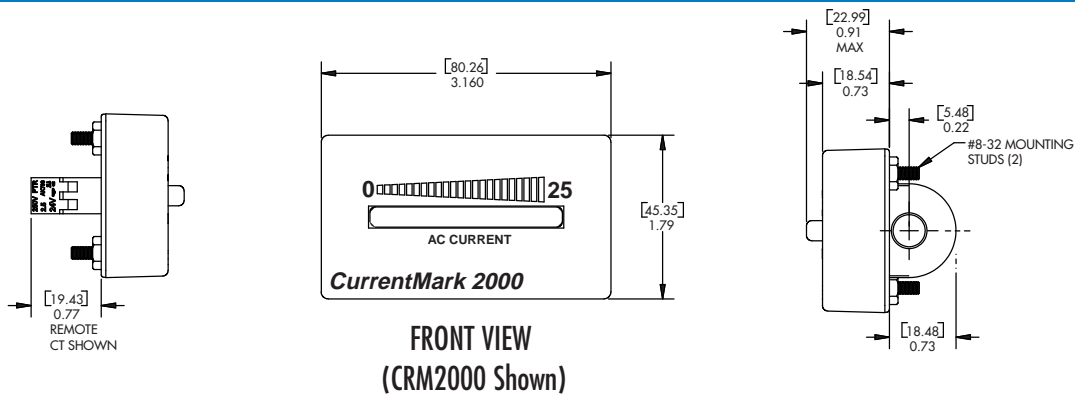


CR Magnetics, Inc. 3500 Scarlet Oak Blvd. St. Louis MO USA 63122 V: 636-343-8518 F: 636-343-5119

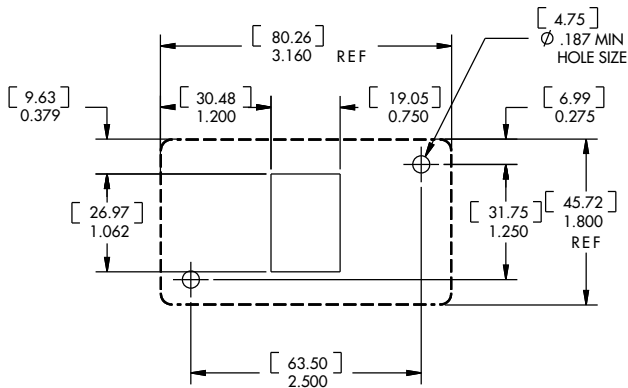
Web: <http://www.crmagnetics.com>

E-mail: [sales@crmagnetics.com](mailto:sales@crmagnetics.com)

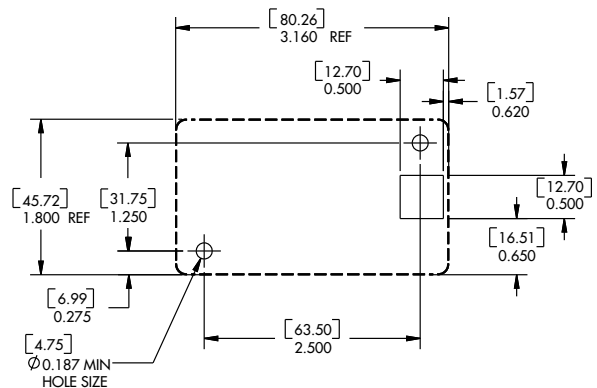
## OUTLINE DRAWING



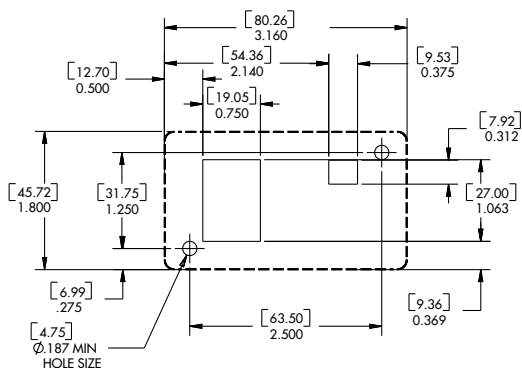
**FRONT VIEW  
(CRM2000 Shown)**



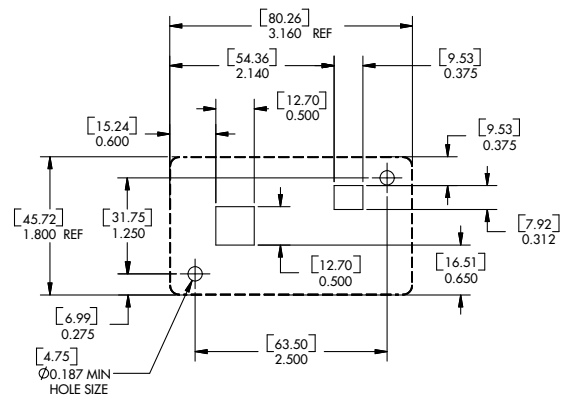
**CRM1000 - I AND CRM2000 - I  
MOUNTING HOLE PATTERN (viewed from front)**



**CRM1000 - R AND CRM2000 - R  
MOUNTING HOLE PATTERN (viewed from front)**



**CRM3000-50-I  
MOUNTING HOLE PATTERN (viewed from front)**



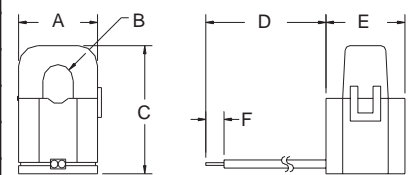
**CRM3000-50-R  
MOUNTING HOLE PATTERN (viewed from front)**

### CRM3000 SPECIFICATIONS

	CALIBRATION	LOW SCALE	HIGH SCALE	ACCURACY
<b>CRM3000-50-I BASIC ACCURACY</b>	10 AAC	9.9	10.1	1.0 %
	25 AAC	24.25	25.25	1.0 %
	50 AAC	49.50	50.50	1.0 %
<b>CRM3000-50-R BASIC ACCURACY</b>	10 AAC	9.8	10.2	2.0 %
	25 AAC	24.50	25.50	2.0 %
	50 AAC	49.00	51.00	2.0 %

READABLE RANGE FROM 1.2 TO 51 AMPS

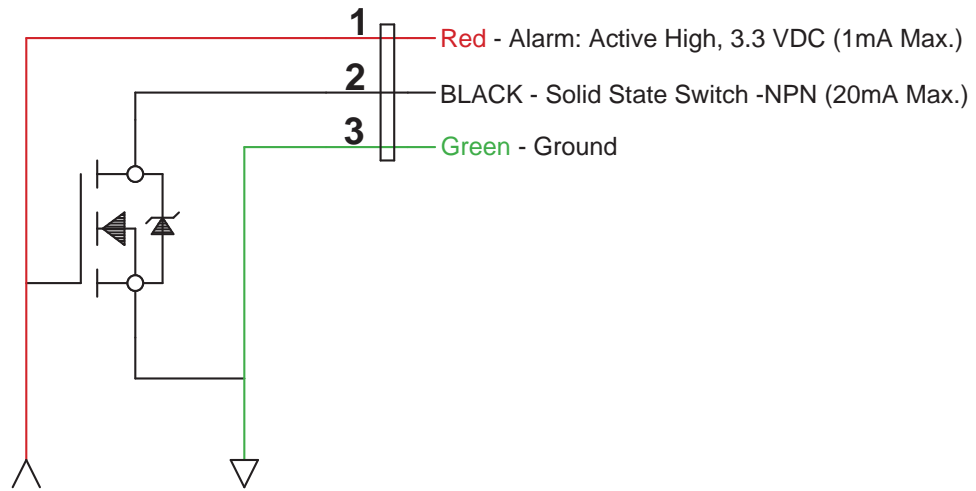
### CR3110-1500-36 For Remote Application



PART NUMBER	A	B	C	D	E	F
CR3110-1500-36	1.04	0.40	1.58	36.0	1.04	0.24



## CRM3000 CABLE ASSEMBLY CONNECTION DIAGRAM



## ALARM PROGRAMMING AND OPERATING INSTRUCTIONS

### Models:

**CRM3000-50-I**  
**CRM3000-50-R**

1. Provide power to the unit.
2. Determine desired current level to activate alarm
3. Press and hold alarm button for two seconds and release
4. LCD display blinks either the last alarm setting or "Aoff".  
(Unit is factory set in "Aoff" mode)
5. Depress and release alarm button until desired set-point is reached
6. Press and hold alarm button for two seconds
7. Set-point is stored in memory and unit returns to normal operation
8. To deactivate alarm, press and hold alarm button for two seconds in "Aoff" mode

### CRM3000 ALARM CABLE & PIN CONNECTOR (Optional)

**CRM3000-CBL-36**

CRM3000 Alarm Cable Assembly 36" Lead

