

Loop-Powered AC Current Transmitter

DIN RAIL / PANEL MOUNT, AVERAGE RMS



CR4220

Single Element - .79" Window
0.5 to 50 AAC Input Range



CR4260

Two Element - .26" Window
0.5 to 30 AAC Input Range

The **CR4200** Series, Current Transmitters produce a calibrated 4-20 mA DC signal that is proportional to the average RMS input AC current. Designed for multi-point current sensing, these devices provide excellent features in a high value package. The output signal is generated from a user supplied 24 VDC power supply within the output current loop.

Applications

- Multi-point current sensing and control panels
- Remote current sensing
- Monitor motor faults
- Monitor heating elements
- Monitor lighting elements

Features

- Relatively low cost
- 35mm DIN rail or panel mount
- High Accuracy
- Easy wiring
- Interfaces with most commercially available instrumentation
- Connection diagram printed on case

Regulatory Agencies

- Approved to UL3111-1, First Edition, Amendment 2
- Approved to CAN/CSA-C22.2, No. 1010.1-92
- Meets requirement of IEC 61010-1 and BS EN 61010-1



CR Magnetics power supplies are matched perfectly for loop-powered transmitters. See Section B for Details.



All single element current transducers are available in split core design. Simply put an "S" at the end of the prefix
* **UL Recognition Pending**

PART NUMBERS			
CR4220(S)	-		Single element with 4 - 20 mA DC output (split core design)
CR4260	-		Single element with 4 - 20 mA DC output (split core design)
*Two element transducers are only available in ranges of 0.5 to 30 AAC			

□ Add suffix for input range

- .5 - 0-.5 AAC *
 - 5 - 0- 5 AAC *
 - 10 - 0-10 AAC *
 - 15 - 0-15 AAC *
 - 20 - 0-20 AAC *
 - 25 - 0-25 AAC *
 - 30 - 0-30 AAC *
 - 40 - 0-40 AAC
 - 50 - 0-50 AAC
- other ranges available



Another HUNTINGTON ELECTRIC Company

CR Magnetics, Inc. 3500 Scarlet Oak Blvd. St. Louis MO USA 63122 V: 636-343-8518 F: 636-343-5119

Web: <http://www.crmagnetics.com>

E-mail: sales@crmagnetics.com

C
Transducers

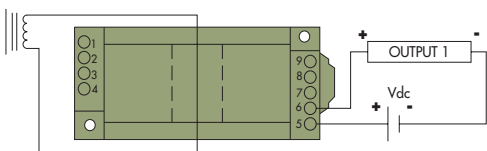
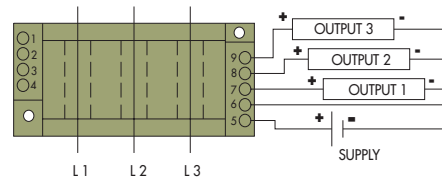
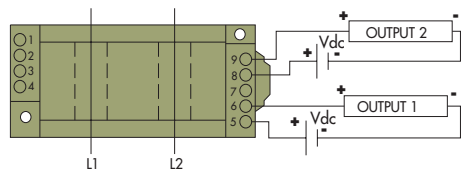
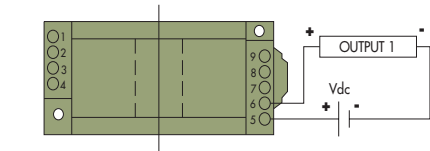
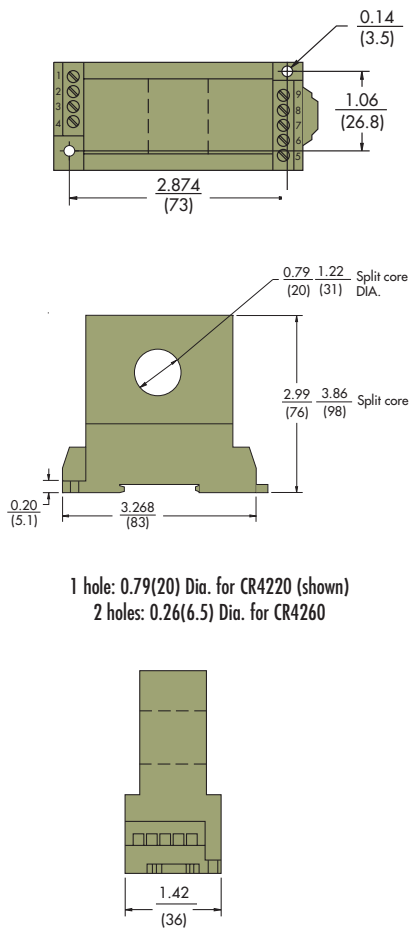
Loop-Powered AC Current Transmitter

DIN RAIL / PANEL MOUNT, AVERAGE RMS

SPECIFICATIONS

Basic Accuracy:.....	0.5%	Loop Voltage:.....	24 VDC
Thermal Drift:.....	500 PPM/°C	Frequency Range:.....	50Hz- 400Hz
Operating Temperature:.....	0°C to +60°C	Compliance Voltage:...	16 to 28 VDC
Installation Category:.....	CAT II	Typical Load:.....	0 To 300 Ω @ 24 VDC
Pollution Degree:.....	2	Cleaning:.....	Water-dampened cloth
MTBF:.....	Greater than 100 K hours	Response Time:.....	250 ms max., 0-90% FS
Altitude:.....	2000 meter max.	Relative Humidity:.....	80% for temperatures up to 31°C and decreasing linearly to 50% at 40°C
Response Time:.....	250 ms max., 0-90% FS	Torque Specs.:.....	3.0 inch lbs. (0.4Nm)
Calibration:.....	Average Sensing, RMS Calibrated	Weight:.....	0.5 lbs.
Insulation Voltage:.....	2500 VDC		

Transducers



OUTLINE DRAWING

CONNECTION DIAGRAM

*Request CR Magnetics Low & Medium Voltage Current Transformers Catalog.

NOTE: The building installation must have a switch or circuit-breaker that is in close proximity and within easy reach of the operator. The switch or circuit breaker shall be marked as the disconnecting device for the equipment.



CR Magnetics, Inc. 3500 Scarlet Oak Blvd. St. Louis MO USA 63122 V: 636-343-8518 F: 636-343-5119

Web: <http://www.crmagnetics.com>

E-mail: sales@crmagnetics.com