

# Current Switch - Normally Closed

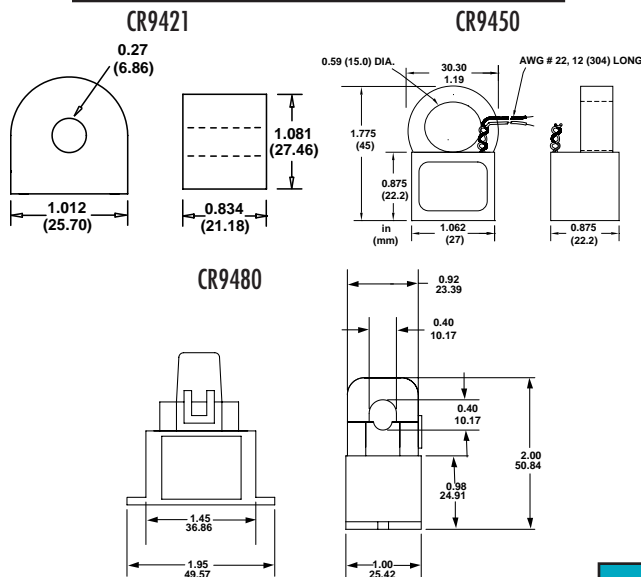
## CR9400 Series



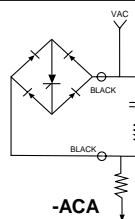
### AC SWITCHING (-ACA)

Off state voltage: 240 VAC RMS max.  
 Minimum switch voltage: 24 VAC RMS  
 On state current: 0.8 AAC RMS max. continuous  
 Off state leakage: 50  $\mu$ a @ 240 VAC max.  
 Off Impedance: Min. 500K Ohms  
 Peak Non-Repetitive Surge Current:  
 8 AAC RMS (1 cycle, 60 Hz.)  
 Switch on Voltage Drop: 2.5V typ.

### OUTLINE DRAWING



### ELECTRICAL CONNECTIONS



The **CR9400** Series is a low cost, self powered, fixed set-point Current Switch designed for applications that require an on-off indication of current flow.

The normal state of the switch is On when the current level is zero. Current levels above the guaranteed full-off level will turn the output to Off. The Current Switch is recommended only for applications where the continuous operating level is above the rated full on level of 350 mA. Operation below this point will not drive the output device full-on and derate the output ratings.

The unit available with a SCR output for switching AC. Connections can be made directly to items such as a PLC or electro-mechanical relay. Note that connections made directly to an inductive device such as an electro-mechanical relay will require a customer supplied clamping diode for DC operation or a snubber network for AC operation.

### Applications

Continuity  
 Proving Switch

### Features

Low Cost  
 Low Fixed Trip Point  
 Fully Isolated  
 Self-Powered

### Specifications

Rated Full-off: 0.350 AAC RMS  
 Turn-on Time: 100 ms. max. @ rated full-on  
 Turn-off Time: 250 ms. max. to 80% of Vce  
 Maximum sense current: Continuous: 100 AAC  
 1 Second: 500 AAC  
 Frequency\*: 50 to 400 Hz  
 Operating Temperature: -30° C to +60° C  
 Storage Temperature: -55° C to +85° C  
 Weight 0.08 LBS.  
 \*All specifications for operation at 60 Hz only

### Regulatory Agencies



### PART NUMBER

**CR** [ ] [ ] [ ] - [ ] [ ] - [ ] **CURRENT SWITCH**

9421 .27 dia. Window  
 9450 .61 dia. Window  
 9480 .49 Splitcore

M Mounting Case (optional)

ACA AC Output

CR Magnetics, Inc. 3500 Scarlet Oak Blvd. St. Louis MO USA 63122 V: 636-343-8518 F: 636-343-5119

Web: <http://www.crmagnetics.com>

E-mail: [sales@crmagnetics.com](mailto:sales@crmagnetics.com)

E

Relays and Switches



Another HUNTINGTON ELECTRIC Company