

SINGLE LINE 1/8 DIN LED DISPLAY



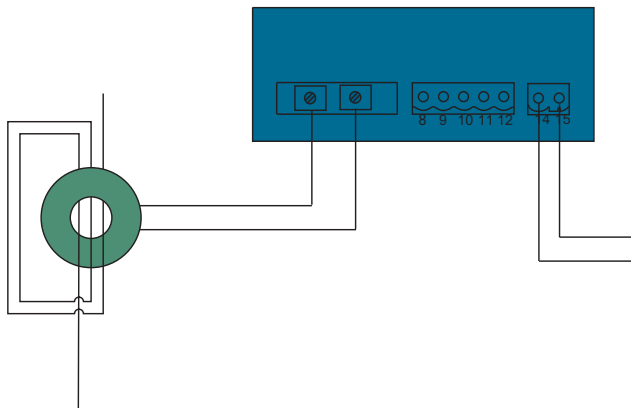
CRV2100

CRV2200

CRV2000 Series

4 Digit LED display shown
Also available in 5 Digit LED display

The Keystone™ Series



**FULLY COMPATIBLE WITH ALL
CR MAGNETICS TRANSDUCERS**

Applications

Directly Connect to PLC
Sense Motor Stalls and Short Circuits
Industrial Instrumentation
Process Control Loops
Over and Under Trip Detection

Features

1/8 DIN Case
Available with Analog 4-20 mA or 0-10 VDC Outputs
RS232 and RS485 Communication Available
Select from 17 Different Inputs
8 Different Types of Relay Outputs Available
4 User Selectable Trip Points
Trip Point Status Indicators on Front Panel
Value Priced
3 Button Programming from Front Panel

Regulatory Agencies



The KEYSTONE™ Series Digital Panel Meters provide an economical solution for industrial process monitoring. The meters feature a smart microprocessor to offer versatility and high accuracy. A large selection of input functions are available along with many analog, digital and relay outputs. The high accuracy is provided by a 14 bit input A/D converter. All functions of scale, trip point, hysteresis, LED brightness, and decimal point are programmable from the front panel. Easy programming is accomplished with just three buttons by stepping through an intuitive logic tree. Four indicator LEDs are easily visible from the front panel and operate together with the output relay functions.



Another HUNTINGTON ELECTRIC Company

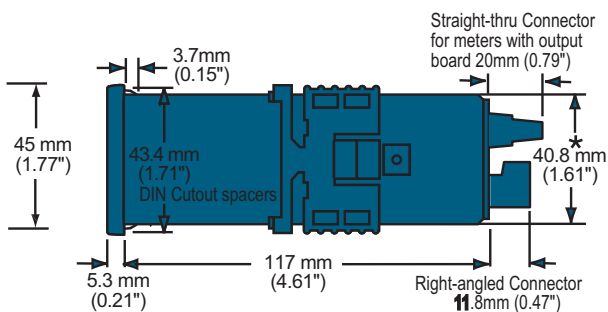
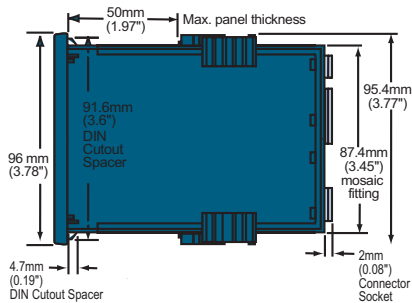
CR Magnetics, Inc. 3500 Scarlet Oak Blvd. St. Louis MO USA 63122 V: 636-343-8518 F: 636-343-5119

Web: <http://www.crmagnetics.com>

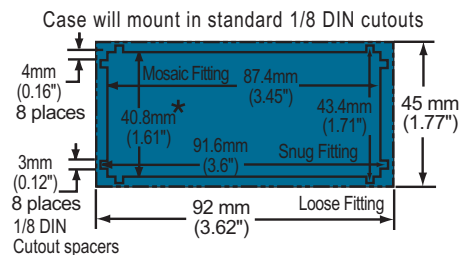
SINGLE LINE 1/8 DIN LED DISPLAY

SPECIFICATIONS	
Input Specs.	Depends on Input signal conditioner
A/D Converter	14 bit Single slope
Accuracy	± (0.05% of reading + 2 counts)
Temp. Coeff.	30 ppm/°C (Typical)
Warm up time	2 minutes
Conversation Rate	5 conversions per second (Typical)
Display	4-digit 0.56" Red LED display
Polarity	Assumed positive. Displays - negative
Decimal Selection	Front panel button selectable, X-X-X-X
Positive Overrange	Bargraph and top segments of digital display flash
Negative Overrange	First segment of bargraph/Bottom Segments of digital display flash
Relay Output	Two 5 Amp Form A relays and two 10 Amp Form C, or 5 Amp Form A relays
Analog Output	Isolated 16 bit user scalable mA or V 0-10 VDC, 4-20 mADC
Power Supply	AC/DC Auto sensing wide range supply
Operating Temp	0 to 60°C
Relative Humidity	95% (non condensing)
Weight	6.5 oz.

PART NUMBERS						
KEYSTONE PANEL METER	CRVXXXX	-XX	-XX	-XX	-XX	
PROCESS SERIES						
INPUT						
Single 0-5 VDC Process Input	CRV2100				-P1	
Dual 0-5 VDC Process Input					-P2	
Triple 0-5 VDC Input					-P3	
Single 4-20 mADC Process Input					-P4	
Dual 4-20 mADC Process Input					-P5	
Triple 4-20 mADC Process Input					-P6	
RELAY OUTPUT						
Single 10 Amp Form C Relay Output		-R1				
Dual 10 Amp Form C Relay Output		-R2				
Single 400 VAC/DC 140 mA SSR Output		-R4				
Dual 400 VAC/DC 140 mA SSR Output		-R5				
ANALOG OUTPUT						
0-10 VDC Ratiometric Process Output				-01		
4-20 mADC Ratiometric Process Output				-02		
COMMUNICATION						
RS232 Communications (5 DIGIT) Module		-S1				
RS485 Communications (5 DIGIT) Module		-S2				
DIRECT CONNECT SERIES						
INPUT						
AC Volts Input 600 VAC Average Sensing	CRV2200				-A1	
AC Current Input 5 AAC Average Sensing					-A2	
AC Volts Input 600 VAC TRMS Sensing					-A3	
AC Current Input 5 AAC TRMS Sensing					-A4	
DC Volts Input, Scalable, DC Voltage Sensing					-D1	
DC Millivolt, Input, Scalable, DC Voltage Sensing					-D2	
DC Amps Input, Scalable, DC Current Sensing					-D3	
DC Milliamps Input, Scalable, DC Current Sensing					-D4	
DC Volts Input, Scalable, DC Voltage Sensing					-D5	
DC Milliamp Scalable, DC Current Sensing					-D6	
RELAY OUTPUT						
Single 10 Amp Form C Relay Output			-R1			
Dual 10 Amp Form C Relay Output		-R2				
Single 400 VAC/DC 140 mA SSR		-R4				
Dual 400 VAC/DC 140 mA SSR		-R5				
ANALOG OUTPUT						
0-10 VDC Ratiometric Process Output				-01		
4-20 mADC Ratiometric Process Output				-02		
COMMUNICATION						
RS232 Communications (5 DIGIT)		-S1				
RS485 Communications (5 DIGIT)		-S2				



OUTLINE DRAWING



PANEL CUTOUT



Another HUNTINGTON ELECTRIC Company

CR Magnetics, Inc. 3500 Scarlet Oak Blvd. St. Louis MO USA 63122 V: 636-343-8518 F: 636-343-5119

Web: <http://www.crmagnetics.com>

E-mail: sales@crmagnetics.com

Data View