

Split Core Current Transformer

603 & 603D Series



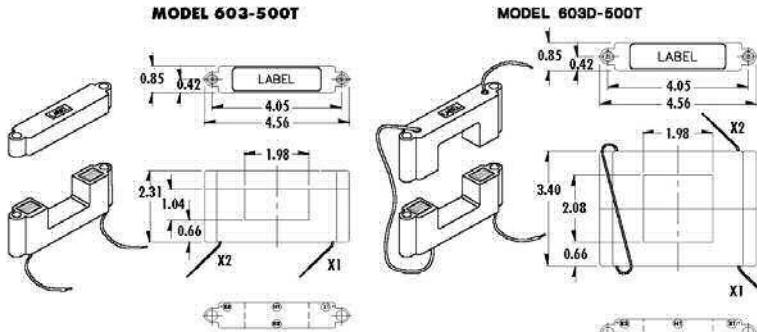
The **603 & 603D** Split Core Current Transformers are designed for assembly to an existing electrical installation without the need for dismantling the primary bus or cables.

These transformers are intended for use with high input impedance devices that require signal voltages up to 5 VAC.

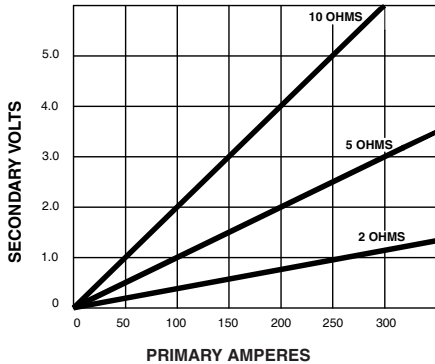
The output can be rectified and filtered for devices requiring DC input. The non-linearity and voltage drop of the rectifiers and filters must be considered in the choice of the loading impedance.

PART NUMBERS	
603 - 500T	500 Turns
603D - 500T	500 Turns

OUTLINE DRAWING



TYPICAL PERFORMANCE CHARACTERISTICS MODEL 603-500T (WITH 500 TURNS)



Application

For Energy Management Systems and Instrumentation Equipment Having a High Input Impedance, eg. 14K ohms minimum

Frequency

50-400Hz

Construction

The core and windings are encased in UL approved plastic

Insulation Level

0.6 kV, BIL 10 kV full wave

Continuous Thermal Current Rating Factor

Model 603:
350A at 30° C amb.
260A at 55° C amb.

Flexible Leads

UL 1015 105° C, CSA approved, #22 AWG, 24" long unless otherwise specified

Approximate Weight

Model 603-500T: 10 oz.
Model 603D-500T: 12 oz.

Regulatory Agencies

