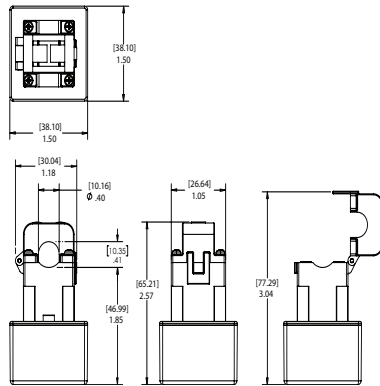


# Self Powered LoraWan Current Transformers - US

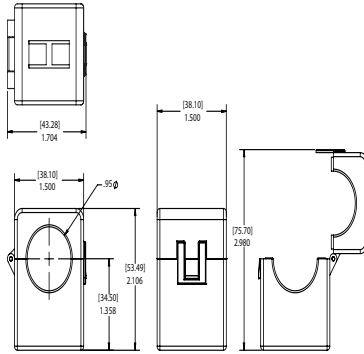
## CRL-060

60 AAC Full Scale Current Transformer  
 - Minimum AC Charge current is 5AAC @ 30 Min



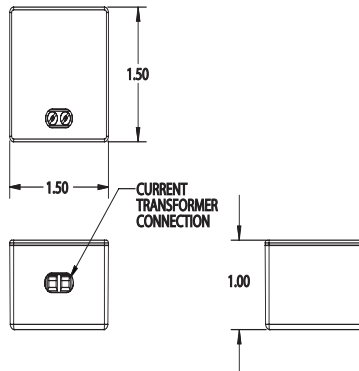
## CRL-225

225 AAC Full Scale Current Transformer  
 - Minimum AC Charge current is 5AAC @ 30 Min



## CRL-005

5 AMP AAC Full Scale Module  
 - Connect to any 5 Amp Secondary  
 - Current Transformer for LoraWan Output.  
 - Minimum Charge Current 500mA. @ 30 min.



CR Magnetics, Inc. LoraWan Self-Powered Current Transformers provide an economical method for wireless current sensing. The sensors are powered by the sensed current, meaning no batteries are required. 3 package sizes available to fit most applications. Transmission distances depends on environment but can easily reach one half mile. LoraWan Gateway and Server connection supplied by customer.

### Applications

- Portable Instruments
- Sub-Metering
- Monitor Motor Loads

### Features

- Small Size
- Low Cost
- Secure Locking Hinge
- Wireless

### Specifications

Lorawan Region	USA
Operates on US frequencies	902-928 MHz
Storage Temp	-45 C thru +85 C
Operating Temp	-20 C thru +65 C
Linear Range	10 to 100% F.S.
Accuracy	2% of F.S.
Average RMS Sensing	60Hz. Sinewave Current
Maximum Continuous Current	Not to Exceed Full Scale

### Regulatory Agencies

- Designed to UL 6010-1
- Rated to NFPA70



PART NUMBER						
<b>CRL</b>	<b>-</b>	<b>X</b>	<b>X</b>	<b>X</b>		
		<b>0</b>	<b>6</b>	<b>0</b>		
		<b>2</b>	<b>2</b>	<b>5</b>		
		<b>0</b>	<b>0</b>	<b>5</b>		

Wireless LoraWan-US G