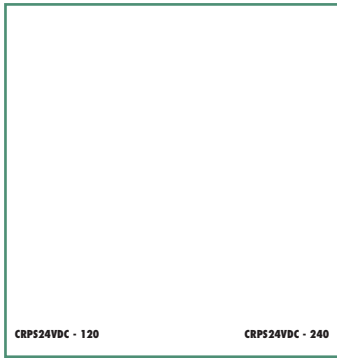


AC/DC Power Supply

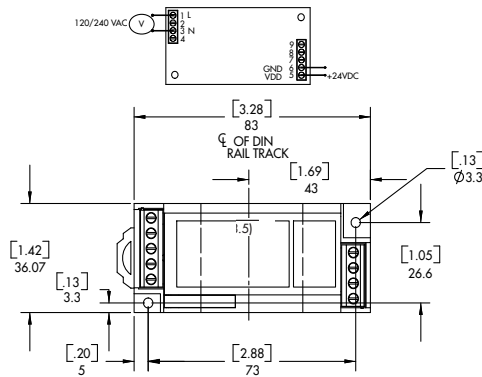
The **CRPS24VDC** Series Power supplies are designed to meter CR Magnetics digital and analog transducers. These switched mode power supplies are compact and efficient with a modern clean looking case.



Features

- 35mm DIN Rail or Panel Mount
- Available with 120VAC/VDC and 240VAC/VDC
- Input 24 VDC Powered
- Use with CR Magnetics Transducers
- Highest precision available
- Connection diagram printed on case

Regulatory Agencies



CONNECTION DIAGRAM

Specifications

Input Voltage	120V,240V±10% 50/60Hz
Rated Output	200mA
Output Voltage	+24VDC
Output Ripple	≤10 mV

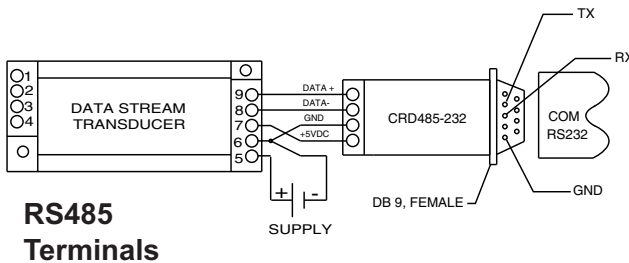
PART NUMBERS

CRPS24VDC	-		Power Supply
-----------	---	--	--------------

- 120 - 120V Power Supply
 - 240 - 240V Power Supply
- with 24 VDC Output

CRD485-232

RS485 to RS232 Converter Accessory
Connect PC to RS485 Bus



B
Data Stream