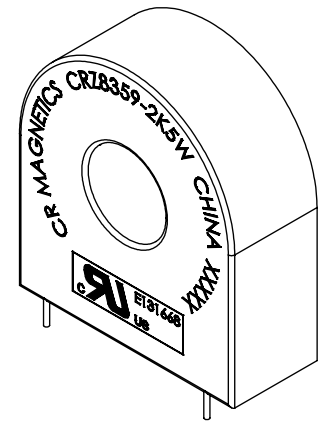


CURRENT TRANSFORMER SPECIFICATIONS	
RATED PRIMARY CURRENT (AMP) 50/60 Hz	0.01 ~ 1A
TURNS RATIO	Np:Ns1:Ns2 = 1:2000:5
SECONDARY NS1	RL =< 100Ω
SECONDARY NS2	5 Test Turns @ 5mA Max Per Turn
D.C. RESISTANCE (Ω)@ 20 C	55 MAX
DIELECTRIC WITHSTANDING VOLTAGE (HI-POT)	4KVrms/1mA/1min
INSUATION RESISTANCE	DC500V/100MΩ min
OPERATING TEMPERATURE	-40°~85°C
STORAGE TEMPERATURE	-45°~90°C

ACCURACY (@RL <= 34Ω) 0.2 %

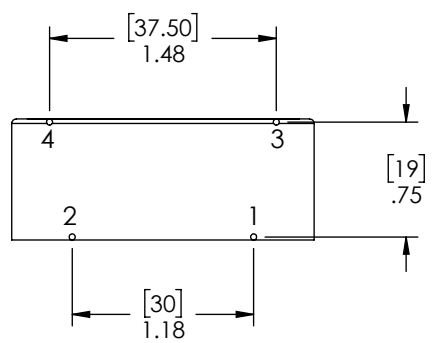
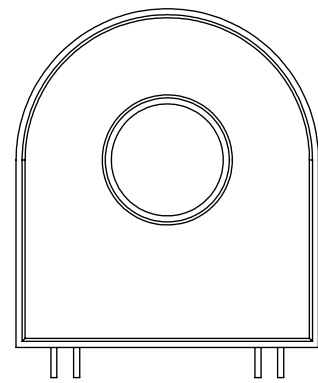
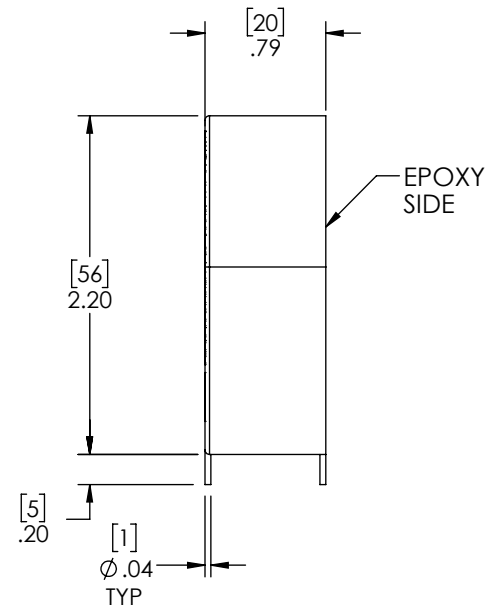
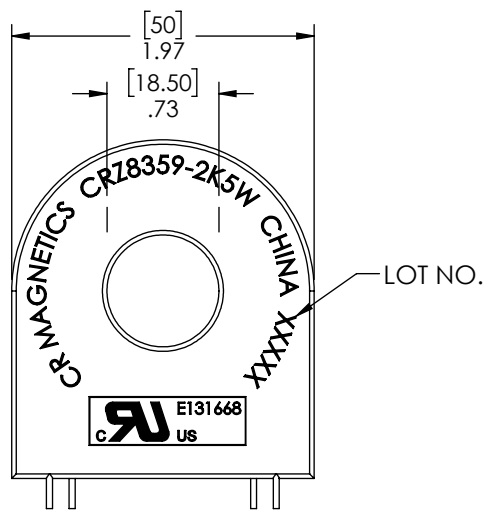


DRAWING NO. **CRZ8359-2K5W** REV. **A**

TEST CIRCUIT

CE RoHS COMPLIANT

US E131668



DO NOT SCALE THIS DRAWING.
 DIMENSIONS ARE IN INCHES UNLESS OTHERWISE NOTED
 3 PLACE DECIMALS: ±.005 FRACTIONS: ±1/64
 2 PLACE DECIMALS: ±.01 ANGLES: ± 1/2°



CR MAGNETICS
 3500 Scarlet Oak Blvd, St. Louis, MO 63122 USA

REV	ECN#	CHG BY	DATE	DESCRIPTION OF CHANGE	APPROVED
A	-	TB	8/29/22	NEW RELEASE	TB

NOTICE:
 THE INFORMATION CONTAINED IN THIS DRAWING IS THE SOLE PROPERTY OF CR MAGNETICS. ANY REPRODUCTION IN PART OR WHOLE WITHOUT WRITTEN PERMISSION IS PROHIBITED.

SCALE:	1.0"-1.0"
DRAWING BY:	TB
DATE:	8/29/22

TITLE:	CURRENT TRANSFORMER, CRZ8359-2K5W Ni 2000T W/5 TEST WRAPS
PART FILE:	CRZ8359-2K5W
DWG NO:	CRZ8359-2K5W

REV. **A**
 SHEET 1 OF 1