

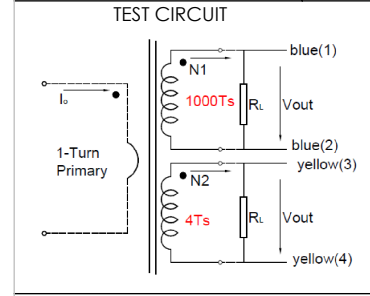
CURRENT TRANSFORMER SPECIFICATIONS	
MAX CONTINUOUS CURRENT (AMP) 50 Hz	0.01 ~ 1A
TURNS RATIO	Np:N1:N2 = 1:1000:4
D.C. RESISTANCE (Ω)@ 20°C \pm 10%	BLUE-BLUE = 57
SECONDARY NS1	RL = /< 100 Ohm
SECONDARY NS2	4 Test Turns @ 5mA Max Per Turn
DIELECTRIC WITHSTANDING VOLTAGE (HI-POT)	4KVrms/1mA/1min
INSUATION RESISTANCE	DC500V/100M Ω min
OPERATING TEMPERATURE	-40°~75°C
STORAGE TEMPERATURE	-45°~85°C

HI-POT(BETWEEN PRIMARY & SECONDARY)
4KVrms/1mA/1min

HI-POT(BETWEEN SECONDARY)
1KVrms/1mA/1min

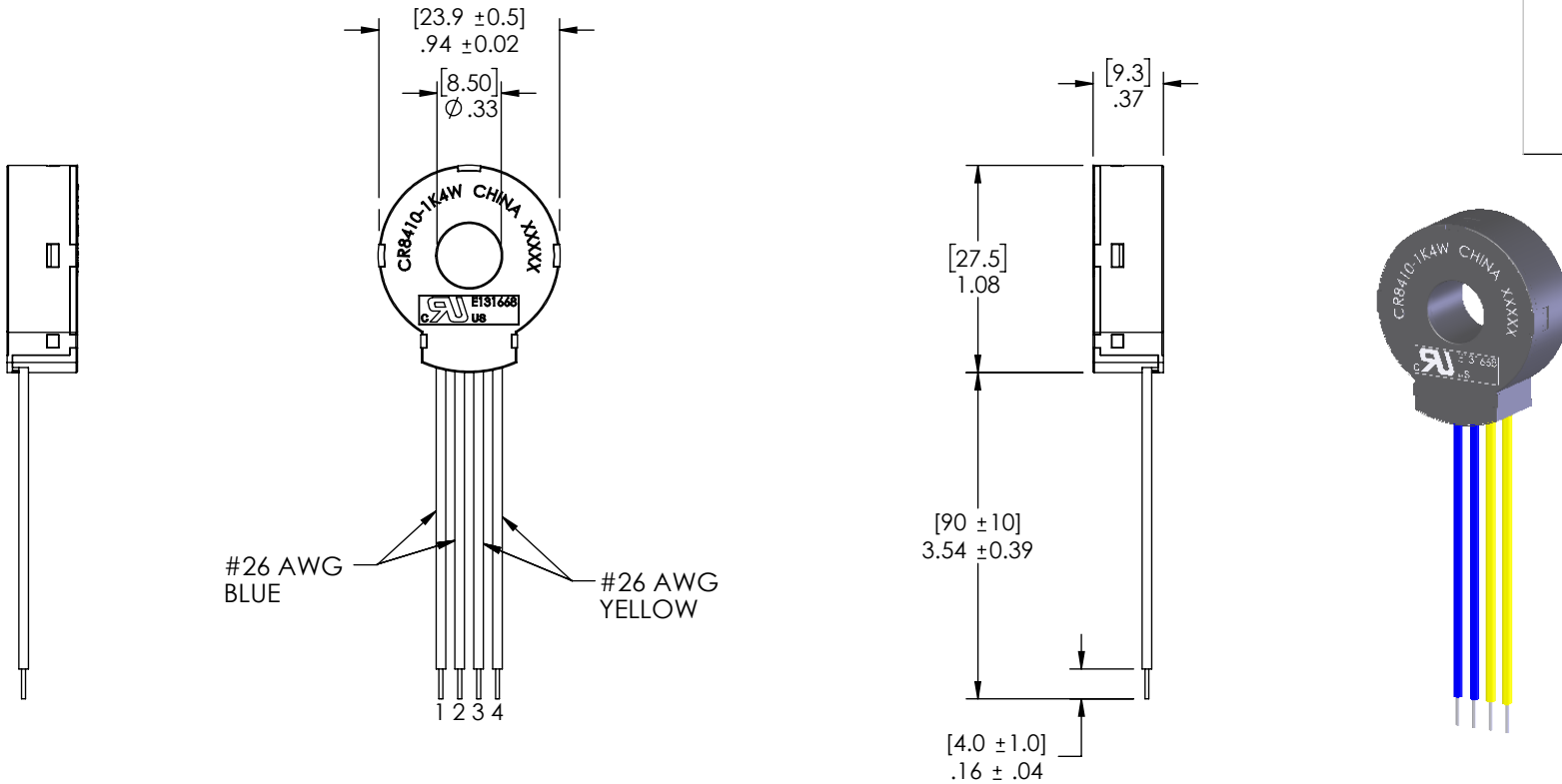
RATED OUTPUT VOLTAGE FOR 1K ohm (mV)
7.5 MIN

DRAWING NO. **CRZ8410-1K4W** REV. **A**



AGENCY APPROVALS:

CRus E131668



DO NOT SCALE THIS DRAWING.
DIMENSIONS ARE IN INCHES UNLESS OTHERWISE NOTED
3 PLACE DECIMALS: \pm .005 FRACTIONS: \pm 1/64
2 PLACE DECIMALS: \pm .01 ANGLES: \pm 1/2°



CR MAGNETICS
3500 Scarlet Oak Blvd.
St. Louis, MO 63122 USA

REV	ECN#	CHG BY	DATE	DESCRIPTION OF CHANGE	APPROVED
A	NP#1120	TB	2/22/23	RELEASE	TB

NOTICE:
THE INFORMATION CONTAINED IN THIS DRAWING IS THE SOLE PROPERTY OF CR MAGNETICS. ANY REPRODUCTION IN PART OR WHOLE WITHOUT WRITTEN PERMISSION IS PROHIBITED.

SCALE: 1.0"-1.0"
DRAWING BY: TB
DATE: 2/22/23

TITLE: CURRENT TRANSFORMER
PART FILE: CR8410-1K-4WIRE-Assembly RevD
DWG NO: **CRZ8410-1K4W**

REV. **A**
SHEET 1 OF 1